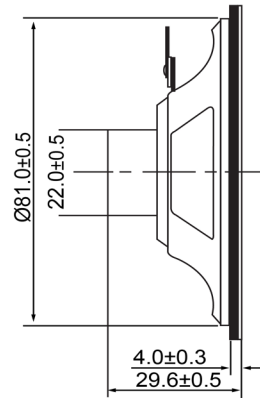
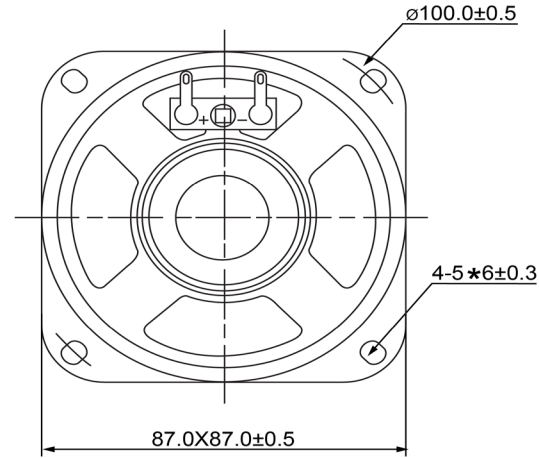



SIDE VIEW



BOTTOM VIEW



Specifications			Notes	Revision History					
Description	Value	Unit		Version	Description	Date	Approved		
Shape	Rectangle		1) All dimensions are in mm unless otherwise noted 2) All parts meet RoHS 	1	Released from Engineering	10/21/2013	J.S		
Resonant Frequency	250	(Hz)							
Frequency Range	250 ~ 20,000	(Hz)							
SPL @ 10cm	84	(dBA)							
Impedance	8	(Ohm)							
Cone Material	Paper								
Nominal Power	5	(W)							
Max Power	8	(W)							
Mount Type	Frame								
Operating Temperature	-25 ~ +55	°C							
Storage Temperature	-25 ~ +55	°C							
Weight	62	(g)							
				Dynamic Speaker		SP870208-1			
				Drawn by A.B.	Date 10/21/2013	Checked by C.E.	Date 10/21/2013	Approved by J.S	Date 10/21/2013